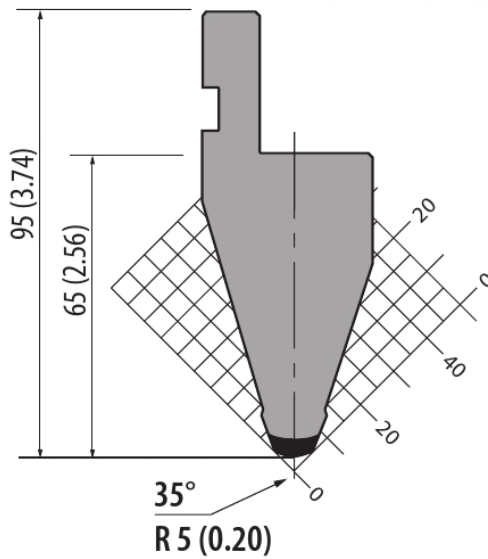


35° Punches

P.95.35.R5

1000 kN/m max.



835 mm	32.87 in	13.5 kg
415 mm	16.34 in	7.0 kg
795 mm segmented	31.29 in segmented	12.8 kg
805 mm segmented	31.69 in segmented	13.0 kg

 C45: 560-710 N/mm²

 HORN
1
