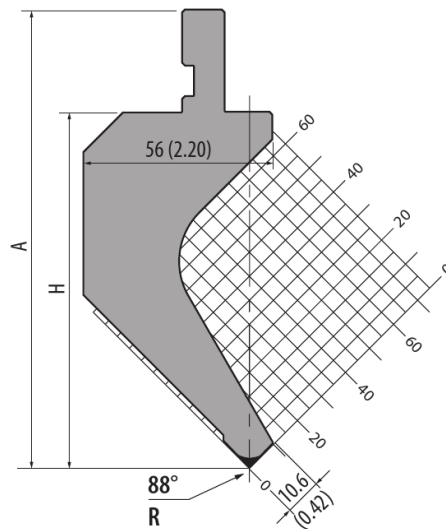




88° Punches

P.135.88.R08 / R3 / PK.135.88.R025 500 kN/m max.



P.135.88.R08	H=104.65 / A=134.50 / R=0.8 (H=4.12 / A=5.30 / R=0.031)	
	835 mm	32.87 in 22.5 kg
	415 mm	16.34 in 11.2 kg
	795 mm segmented	31.29 in segmented 21.4 kg
	805 mm segmented	31.69 in segmented 21.7 kg
P.135.88.R3	H=103.40 / A=133.40 / R=3.0 (H=4.07 / A=5.25 / R=0.118)	
	835 mm	32.87 in 22.5 kg
	415 mm	16.34 in 11.2 kg
	795 mm segmented	31.29 in segmented 21.4 kg
	805 mm segmented	31.69 in segmented 21.7 kg
PK.135.88.R025	H=104.60 / A=134.50 / R=0.25 (H=4.12 / A=5.30 / R=0.010)	
	835 mm	32.87 in 22.7 kg
	415 mm	16.34 in 11.5 kg
	795 mm segmented	31.29 in segmented 21.6 kg
	805 mm segmented	31.69 in segmented 21.8 kg

 C45: 560-710 N/mm²

 HORN
1


For more information, to arrange a demonstration or to enquire about purchasing this machine please contact us by email sales@capitalmachinery.com.au or by calling **1800 706 620**